



INSTRUCTION

LED Betriebsgerät / LED Power Supply
DIMMbox / DIMMbox

LED Betriebsgerät / LED Power Supply

DIMMbox / DIMMbox

OTi DALI 80/220-240/24 TW
OTi DALI 50/220-240/24 TW



IP 20



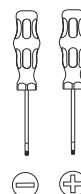
IP 20



IP 20

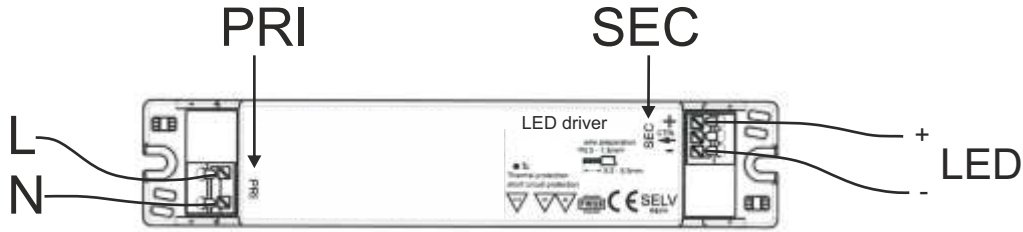


| | | | | |
|--|---------------|-------------------|-------|-------|
| | 982232.002 | L 153, B 30, H 21 | 21 W | 112 g |
| | 982233.002 | L 188, B 30, H 21 | 33 W | 130 g |
| | 982234.002 | L 240, B 30, H 21 | 60 W | 138 g |
| | 982235.002 | L 305, B 30, H 24 | 100 W | 201 g |
| | 982232.002.76 | L 153, B 30, H 21 | 21 W | 207 g |
| | 982233.002.76 | L 188, B 30, H 21 | 33 W | 231 g |
| | 982234.002.76 | L 240, B 30, H 21 | 60 W | 245 g |
| | 982235.002.76 | L 305, B 30, H 24 | 100 W | 303 g |
| | 982382.002 | L345, B32, H22 | 50 W | 191 g |
| | 982383.002 | L345, B32, H22 | 80 W | 191 g |



RZB
Rudolf Zimmermann,
Bamberg GmbH
Rheinstraße 16
D-96052 Bamberg
Deutschland
Telefon +49 951/79 09-0
Telefax +49 951/79 09-198
www.rzb.de
info@rzb-leuchten.de

982232.002
982233.002
982234.002
982235.002



Elektrische Anschlüsse:

Klemmleiste: 0,5...1,5mm²
Abisolierlänge: 8,5...9,5mm²

Electrical connection:

Push-in contact: 0,5...1,5mm²
Stripped lead length: 8,5...9,5mm²

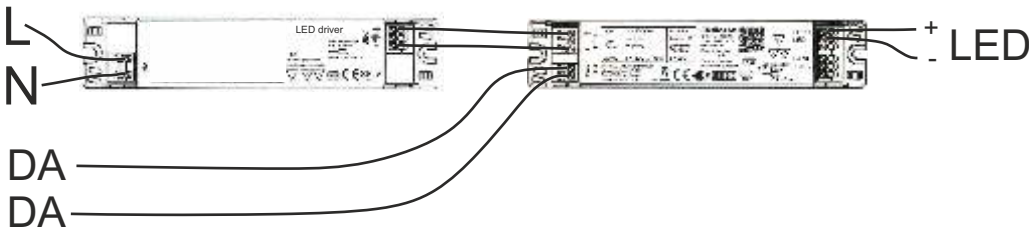
Max. Leitungslängen-System:
10m (t.b.d.)

Max. cable length:
10m (t.b.d.)

Sicherheitsanleitung / Safety details:

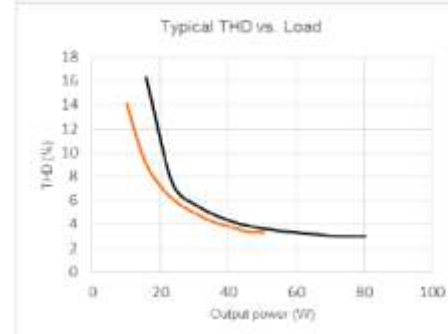
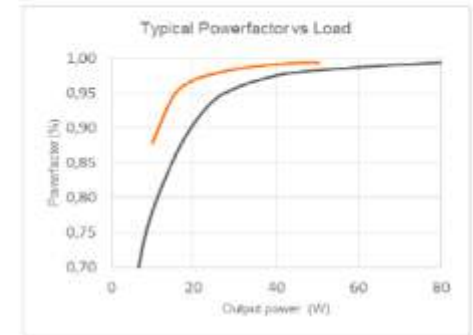
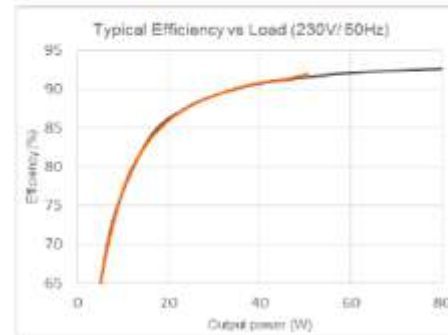
| | | | |
|-----------------------|---------------|------------------------------------|---------------|
| Schutzklasse: | II | Protection class: | II |
| Umgebungstemperatur: | 0°C bis +45°C | Ambient temperature range: | 0°C bis +45°C |
| IP-Schutzgrad: | IP20 | Degree of protection of enclosure: | IP20 |
| Überlastschutz: | Ja | Overload protection: | Yes |
| Kurzschlusschutz: | Ja | Short circuit protection: | Yes |
| Leerlaufestigkeit: | Ja | No-load proof: | Yes |
| Übertemperaturschutz: | Ja | Overtemperature protection: | Yes |

982232.002.76
982233.002.76
982234.002.76
982235.002.76

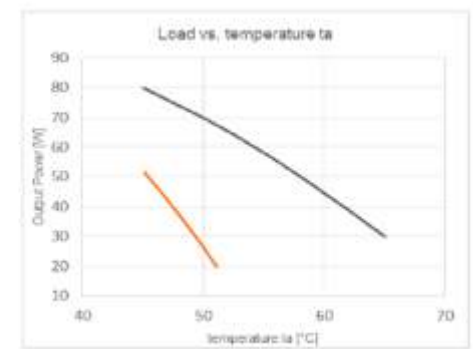
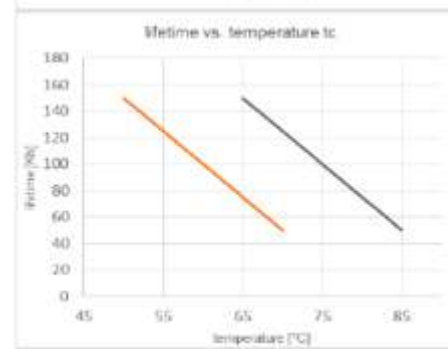


- Input Wires cross section 0,75 – 2,5 mm²
- Wire peeling length: 5 mm
- Load wires length: 10m verified

Output wire cross section 0,2 – 1,5 mm²



— OTI DALI 80/220-240/24 TW
— OTI DALI 50/220-240/24 TW





Elektrische Anschlüsse:

| | |
|-------------------------|---------------------------|
| Klemmleiste Eingang: | 0,75...2,5mm ² |
| Klemmleiste Ausgang: | 0,2...1,5mm ² |
| Abisolierlänge Eingang: | 6mm |
| Abisolierlänge Ausgang: | 5mm |

Max. Leitungslängen-System:

10m (t.b.d.)

Electrical connection:

| | |
|-----------------------------|---------------------------|
| Push-in contact Entry: | 0,75...2,5mm ² |
| Push-in contact Exit: | 0,2...1,5mm ² |
| Stripped lead length Entry: | 6mm |
| Stripped lead length Exit: | 5mm |

Max. cable length:

10m (t.b.d.)

Sicherheitsanleitung / Safety details:

| | | | |
|-----------------------|-----------------|------------------------------------|-----------------|
| Schutzklasse: | II | Protection class: | II |
| Umgebungstemperatur: | -20°C bis +45°C | Ambient temperature range: | -20°C bis +45°C |
| IP-Schutzgrad: | IP20 | Degree of protection of enclosure: | IP20 |
| Überlastschutz: | Ja | Overload protection: | Yes |
| Kurzschlusschutz: | Ja | Short circuit protection: | Yes |
| Leerlaufestigkeit: | Ja | No-load proof: | Yes |
| Übertemperaturschutz: | Ja | Overtemperature protection: | Yes |

- **Input over voltage protection:** mains up to 350 Vac, for 2 hours maximum, will not destroy neither the unit nor the load;
- shut down of load might occur in this condition.
- **Output overload protection:** the unit automatically dims down to keep the output power below 80 W / 50 W.
- **No load operation:** Do not put a switch between load and unit.
- **Over temperature protection:** the unit is protected against temporary overheating by automatic dimming down when t_c exceeds. The protection is self-restoring.
- **Touch current:** lower than 0,7 mA, according to EN 60598-1 ann. G and EN 61347-1 ann. A
- **Lamp Failure detection:** minimum load per channel that not trigger open circuit detection is 7.5W for OTi80 and 4.5W for OTi50.
- **Emergency lighting:** this LED power supply is suitable for emergency lighting fixtures acc. to EN 60598-2-22, with emergency output factor EOFI= 0,15 for OTi80 and EOFI=0,24 for OTi50 (default value, can be programmed up to EOFI=1 with Pmax 12 W) and related duration time of 10 h at least. Function in emergency is ensured up to $t_a=80^\circ\text{C}$ and $t_c=96^\circ\text{C}$.

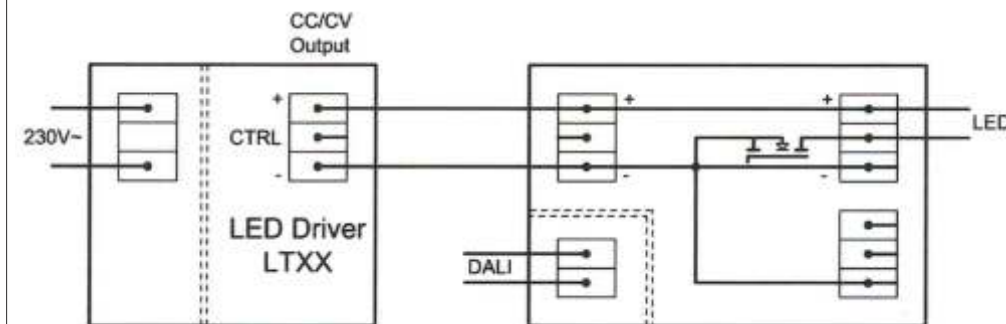


Digital Addressable Lighting Interface (DALI)

Der DALI Steuereingang ist nicht polarisiert und ist von den sonstigen Anschlüssen galvanisch getrennt.

Digital Addressable Lighting Interface (DALI)

The DALI control input is not polarized and is galvanically separated by reinforced insulation from the other DIMMbox connectors.

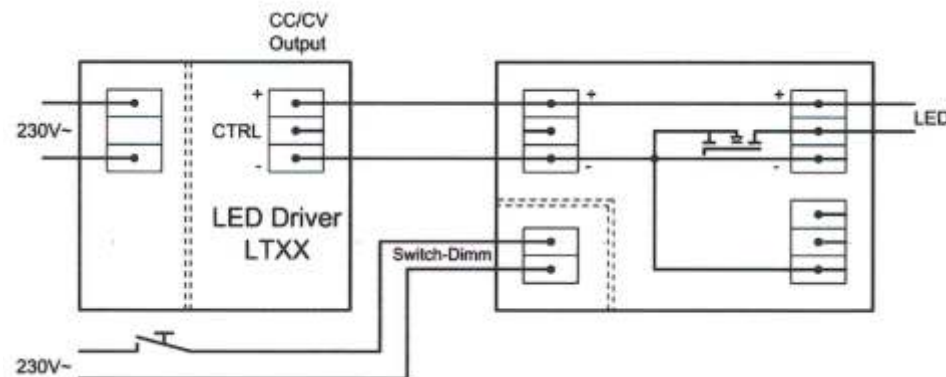


SwitchDimm (SWD)

Der SwitchDimm Steuereingang dient zur Dimmung mittels getasteter Netzspannung und ist von den sonstigen Anschlüssen galvanisch getrennt.

SwitchDimm (SWD)

At the SwitchDim input, dimming control via pushbutton switched mains voltage is used. The SwitchDim input is galvanically separated by reinforced insulation from other DIMMbox connectors.

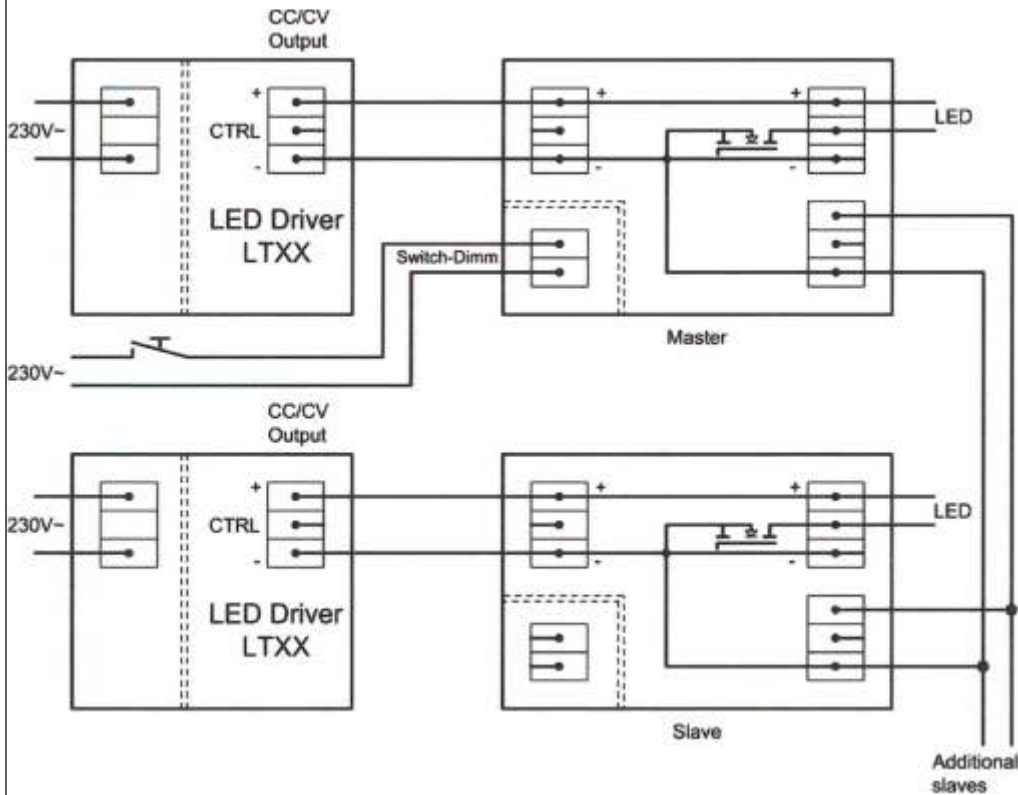


Synchronisationsein- / -ausgang

Über den SYNC-Anschluss können mehrere DIMMboxen synchronisiert werden. Der Master wird dabei am SwitchDim oder 1-10V Eingang gesteuert und gibt seinen Dimmwert an die angeschlossenen Slaves weiter.
Zur Verdrahtung der SYNC Anschlüsse wird eine geschirmte Leitung empfohlen.

SYNC input / output:

Multiple DIMMboxes can be synchronised via the SYNC connector. The master is controlled at the SwitchDim or the 1 to 10V input. All slaves units will be controlled by the master.
A screened line is recommended between the SYNC connectors.



982382.002
982383.002

OTi DALI 80/220-240/24 TW OTi DALI 50/220-240/24 TW

24 V DALI Constant Voltage LED driver

Dimmable range 0,1% - 100%

Benefits

Slim form factor for mounting on the cove or into linear luminaires
DALI Device Type 8 for Tunable White
Very low dimming: 0,1%
EL compliant

Applications

Cove lighting, wall washer corridor, handrail, hospitality luminaires

Approvals



In preparation, if not already printed on product label



| | |
|----|--------|
| L | 345 mm |
| L1 | 303 mm |
| B | 32 mm |
| H | 22 mm |

