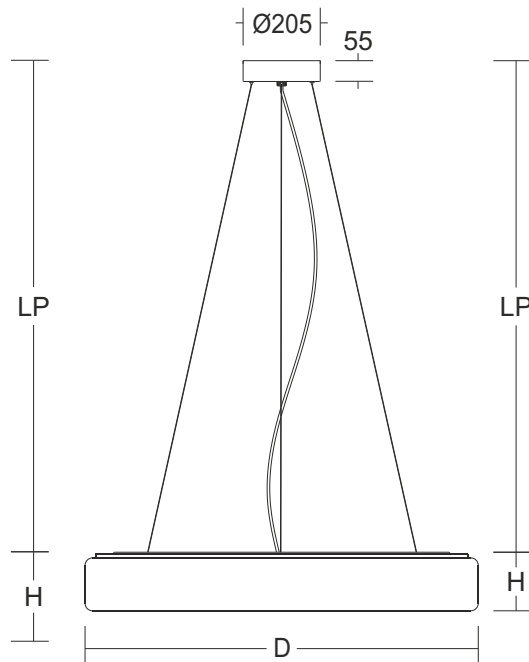
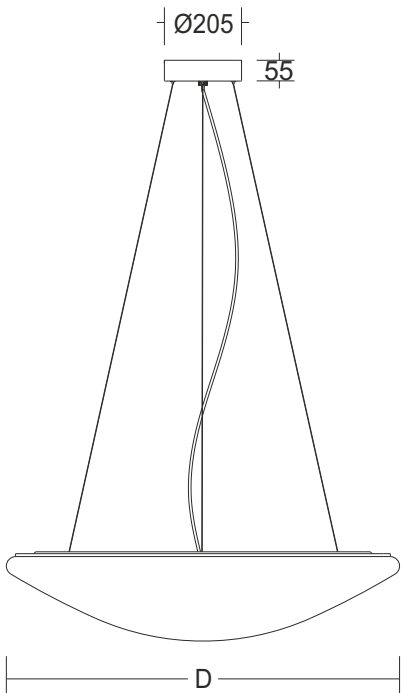


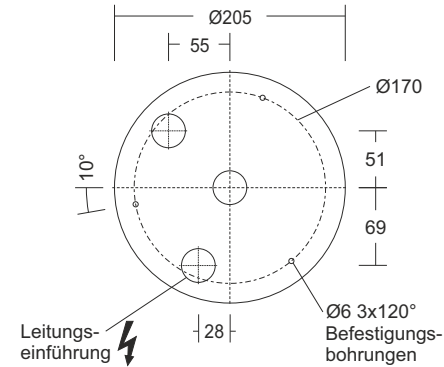
|  |               |             | Glas / cover |         |
|--|---------------|-------------|--------------|---------|
|  | 08-311183.022 | D1040, H230 | PMMA         | 1,96 Kg |
|  | 08-311183.032 | D1040, H230 | PC           | 3,10 Kg |
|  | 08-311292.002 | D1040, H150 | PMMA         | 2,39 Kg |
|  | 08-311292.012 | D1040, H150 | PC           | 2,60 Kg |
|  | 90-5260.000   |             |              |         |



# INSTRUCTION

Pendel  
Flat Polymero XXL Flat Polymero Kreis XXL

IP40 220-240V / 50-60 Hz 3 x 1,5mm<sup>2</sup> 1,5mm<sup>2</sup> - 2,5mm<sup>2</sup>



|                 |                 |               | IP             |                | P              | DIM  | Glas / cover |         |         |
|-----------------|-----------------|---------------|----------------|----------------|----------------|------|--------------|---------|---------|
|                 | 311696.002      | D1040, H230   | IP40           | 3000K, 12x7,4W |                |      | PMMA         | 18,0 Kg |         |
|                 | 311696.002.76   | D1040, H230   | IP40           | 3000K, 12x7,4W | DALI           |      | PMMA         | 18,1 Kg |         |
|                 | 311696.002.1    | D1040, H230   | IP40           | 4000K, 12x7,4W |                |      | PMMA         | 18,0 Kg |         |
|                 | 311696.002.1.76 | D1040, H230   | IP40           | 4000K, 12x7,4W | DALI           |      | PMMA         | 18,1 Kg |         |
|                 | 311696.002.2    | D1040, H230   | IP40           | 3000K, 12x7,4W |                |      | PC           | 19,1 Kg |         |
|                 | 311696.002.2.76 | D1040, H230   | IP40           | 3000K, 12x7,4W | DALI           |      | PC           | 19,2 Kg |         |
|                 | 311696.002.3    | D1040, H230   | IP40           | 4000K, 12x7,4W |                |      | PC           | 19,1 Kg |         |
|                 | 311696.002.3.76 | D1040, H230   | IP40           | 4000K, 12x7,4W | DALI           |      | PC           | 19,2 Kg |         |
|                 |                 | 311697.002    | D1040, H150    | IP40           | 3000K, 12x7,4W |      |              | PMMA    | 18,3 Kg |
|                 |                 | 311697.002.76 | D1040, H150    | IP40           | 3000K, 12x7,4W | DALI |              | PMMA    | 18,4 Kg |
| 311697.002.1    |                 | D1040, H150   | IP40           | 4000K, 12x7,4W |                |      | PMMA         | 18,3 Kg |         |
| 311697.002.2AL  |                 | D1040, H150   | IP40           | 4000K, 12x7,4W |                |      | PMMA         | 18,3 Kg |         |
| 311697.002.1.76 |                 | D1040, H150   | IP40           | 4000K, 12x7,4W | DALI           |      | PMMA         | 18,4 Kg |         |
| 311697.002.2    |                 | D1040, H150   | IP40           | 3000K, 12x7,4W |                |      | PC           | 18,6 Kg |         |
| 311697.002.2.76 |                 | D1040, H150   | IP40           | 3000K, 12x7,4W | DALI           |      | PC           | 18,7 Kg |         |
| 311697.002.3    |                 | D1040, H150   | IP40           | 4000K, 12x7,4W |                |      | PC           | 18,6 Kg |         |
| 311697.002.3.76 | D1040, H150     | IP40          | 4000K, 12x7,4W | DALI           |                | PC   | 18,7 Kg      |         |         |

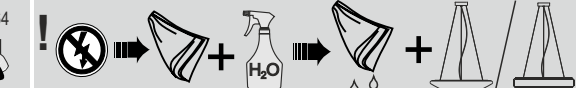


Die Leuchte darf nur mit ihren vollständigen Schutzabdeckungen betrieben werden.  
The luminaire shall only be used complete with its protective shield.

EN 12464



EN 12464



**RZB**  
Rudolf Zimmermann,  
Bamberg GmbH  
Rheinstraße 16  
D-96052 Bamberg  
Deutschland  
Telefon +49 951/79 09-0  
Telefax +49 951/79 09-198  
www.rzb.de  
info@rzb-leuchten.de

